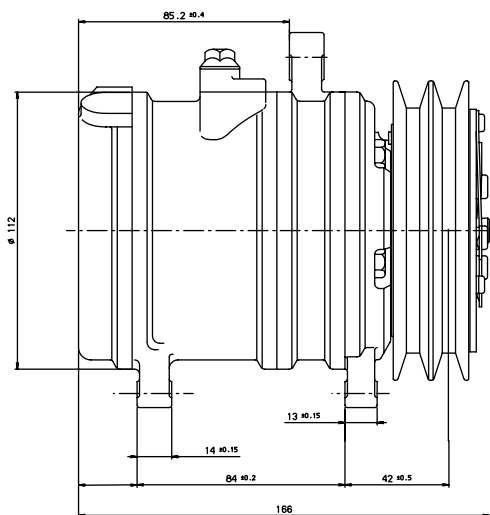


Compressors

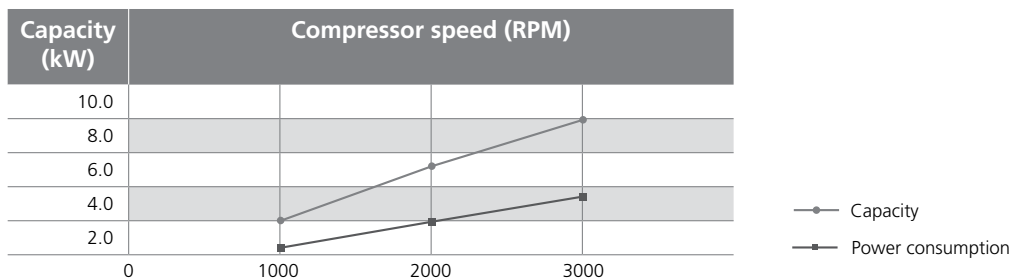
Delphi SP10



These SP10 10-cylinder fixed displacement (110 cm³) compressors consist of five double-ended pistons moving in the cylinder bores by a swash plate and shaft assembly. The 10 hemispherical shoes connect the pistons to the swash plate and shaft assembly. As the swash plate rotates, the shoes swivel, remaining in constant contact with the piston and the swash plate. The rotary motion of the swash plate is therefore converted to the reciprocating motion of the piston. Refrigerant R134a.

Compressors, Tensioning

Performance:



Technical specifications:

Parameters	Specification
Type	10-cylinder, axial swash plate mechanism
Displacement (cm ³)	110
Dimensioni (mm)	Length: 166.0, Diameter: 112
Dry weight (kg)	4.5 (with clutch assembly)
Capacity (2000 rpm) (W)	6,040
Max. continuous speed (RPM)	8,000
Rotation	Clockwise
Refrigerant	R134a

Kit order number	Order number	Type	Quantity (ml)	Dimension
Oil				
	62040595B	PAG ISO 46	250	
Adapters				
620361774A	62043174B			3/4"
	62043173B			7/8"