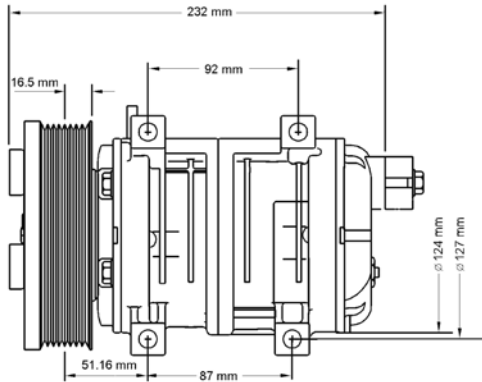


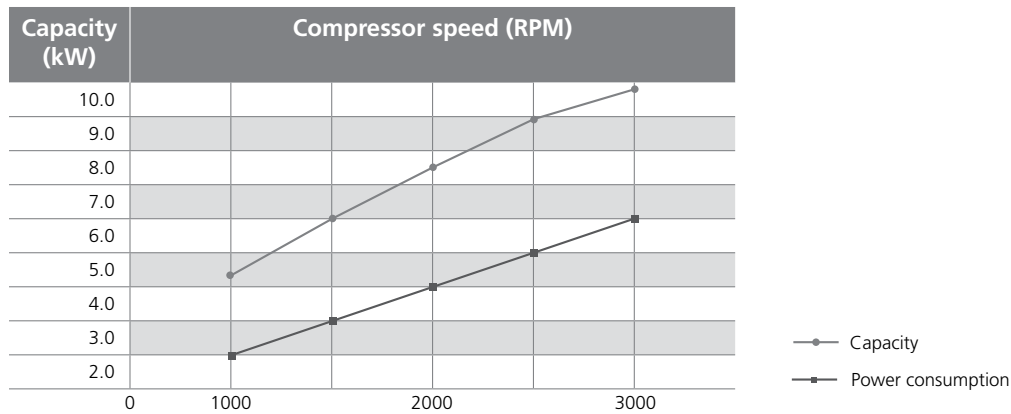
# Compressors

## Tama 21



This TM type fixed displacement swash plate piston type compressor is adaptable to any type of field application, from small engine to heavy duty, including mini bus applications.

### Performance:



### Technical specifications:

Parameters	Specification
Type	Swash Plate type
Number of cylinders	10
Bore diameter (Ø mm/inch)	32/1.26
Stroke (mm/inch)	26.7/1.05
Displacement (cm <sup>3</sup> )	215 (13 cu. in)
Dry weight (kg/lbs)	8.1/17.9
Permissible speed (RPM)	700 – 6,000
Lubricant	Depending on application, this compressor can be used with different compressor oils. See unit labels for proper oil specification. The installer is not responsible for proper oil selection.
Refrigerant	R134a

Order number	Type	Quantity (ml)	Suction	Discharge	Application
<b>Oil</b>					
62040593B	PAG ISO 100	250			
62040598B	POE ISO 150	1,000			
<b>Adapters</b>					
<b>Adapter for horizontal connection</b>					
62043440A			1" 14 UNS	1" 14 UNS	TM 13, TM15, TM16, TM21
<b>Adapter for vertical connection</b>					
62043544A			1" 14 UNS	1" 14 UNS	TM15, TM21