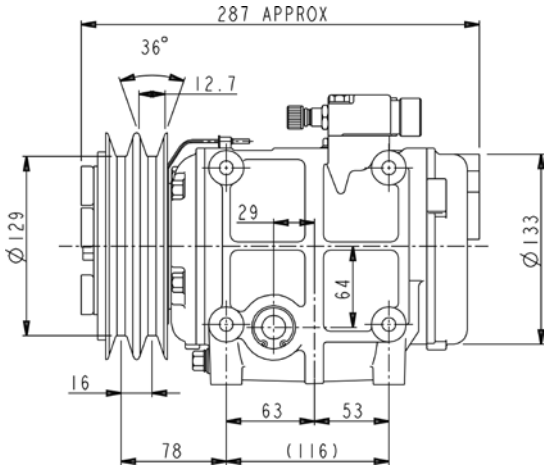


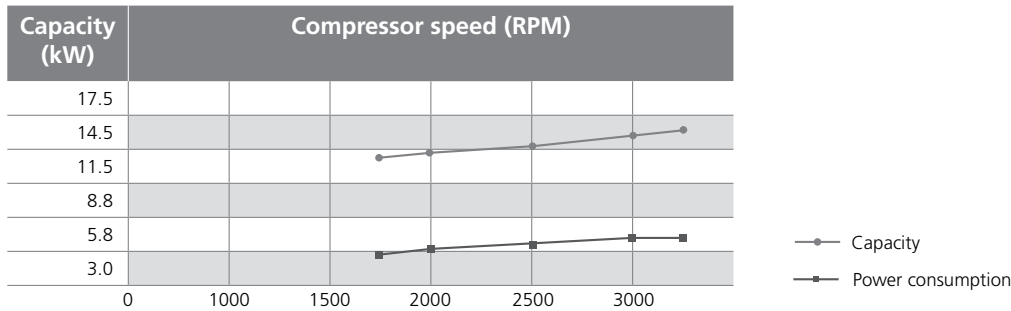
Compressors

Tama 31



This TM type fixed displacement swash plate piston type compressor is adaptable to any type of field application, from small engine to heavy duty, including bus applications.

Performance:



Technical specifications:

Parameters	Specification
Type	Swash Plate type
Number of cylinders	10
Piston diameter (Ø mm/inch)	36/1.42
Stroke (mm/inch)	30.7/1.21
Displacement (cm³)	313 (19.1 cu. in.)
Permissible speed (RPM)	700 – 6,000
Dry weight (kg/lbs)	9.5/21
Lubricant charge (cm³)	500
Refrigerant	R134a

Order number	Type	Quantity (ml)	Suction	Discharge	Application
Oil					
62040593B	PAG ISO 100	250			
62040598B	POE ISO 150	1,000			
Adapters					
62A031091A			7/8" 14 UNF	1 1/16" 14 UNF	TM31