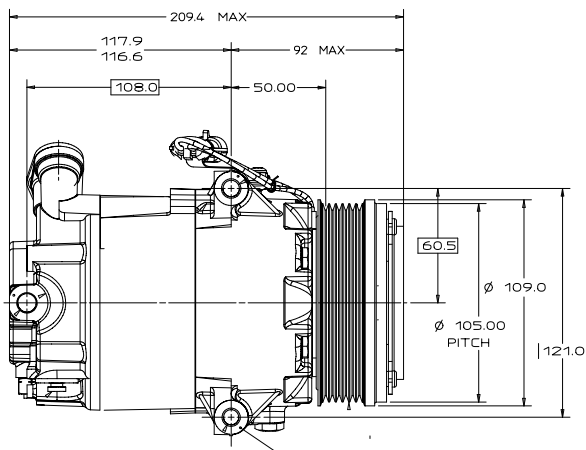


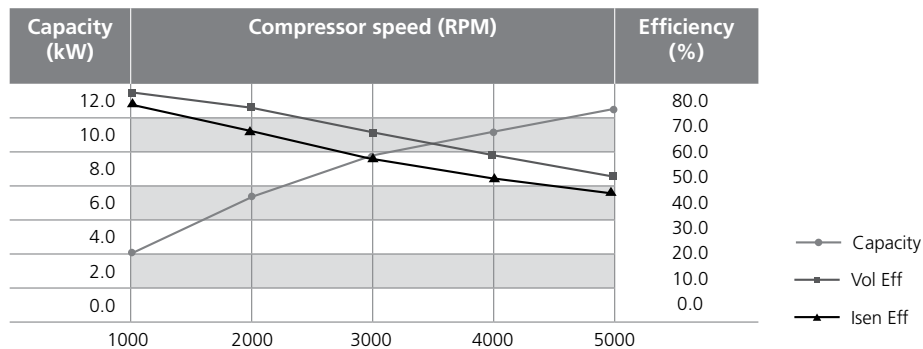
Compressors

Delphi CVC



The next generation of variable displacement piston compressor technology, Delphi's Compact Variable Compressors (CVC), are based on a swash plate simple harmonic motion mechanism. The enhanced mechanism performance makes the CVC adaptable to both pneumatic and electronic controls. Refrigerant R134a.

Performance:



Technical specifications:

Parameters	Specification
Type	10-cylinder, axial swash plate mechanism
Displacement (cm ³)	7 – 125
Dimensions (mm)	Length: 195, Diameter: 114
Dry weight (kg)	5.2
Capacity (2000 rpm)	6,040
Operating speed (rpm)	8,000, maximum continuous 9,200, transient
Refrigerant	R134a

Order number	Type	Quantity (ml)	Color	Description
Oil				
62040595B	PAG ISO 46	250		
Valve				
620425004A			brown	manual valve brown 6582291
620425005A			blue	manual valve blu 6582293