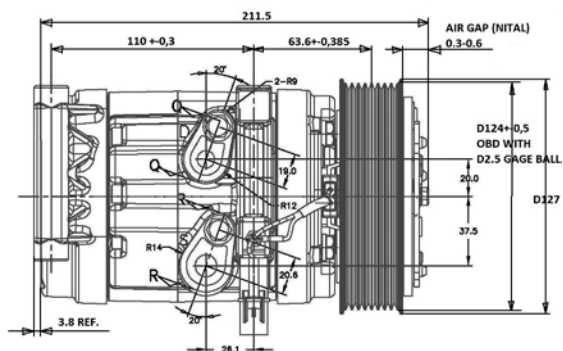


Compressors

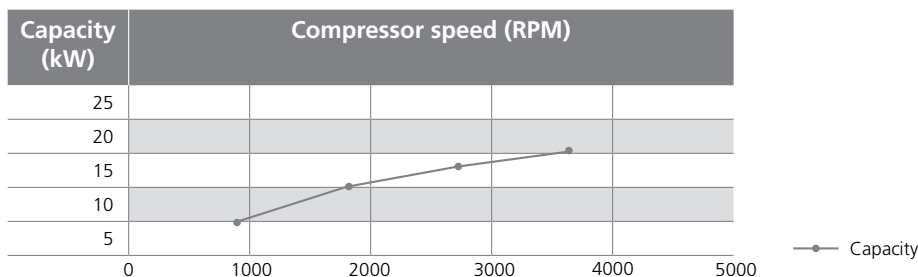
Delphi SP20

DELPHI



The SP20 compressor is equipped with 10 pistons, and it has 210 cm³ displacement/revolution. The compressor is one of the most reliable on the market and its power and robustness are particularly suitable for commercial and industrial vehicles, tractors, etc. The high number of pistons (10) guarantees minimum vibration and the capacity curves are at a very high level. The compressor body is provided with flanged ports, but it's possible to adapt the ports to O-Ring connections (3/4" 16 UNF; 7/8" 14 UNF) by means of two adapters, supplied in the kits 62A03924 and 62A031056. Refrigerant R134a.

Performance:



Technical specifications:

Parameters	Specification
Type	Swash plate
Displacement (cm ³)	210
Lubricant charge (g)	400 ± 15
Max. allowable speed (RPM)	9,000
Refrigerant	R134a

Kit order number	Order number	Type	Quantity (ml)	Dimension
Oil				
	62040595B	PAG ISO 46	250	
Adapters				
620231252A	62043584A			3/4"
	62043585A			7/8"
Adapters straight				
62A03924A	62043291A			3/4"
	62043290A			7/8"
Adapters 90°				
62A031056A	62043392A			7/8"
	62043391A			3/4"