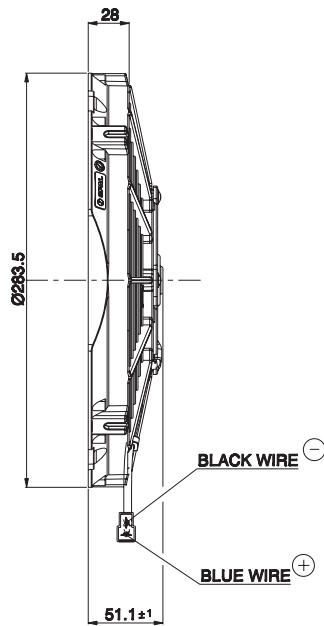
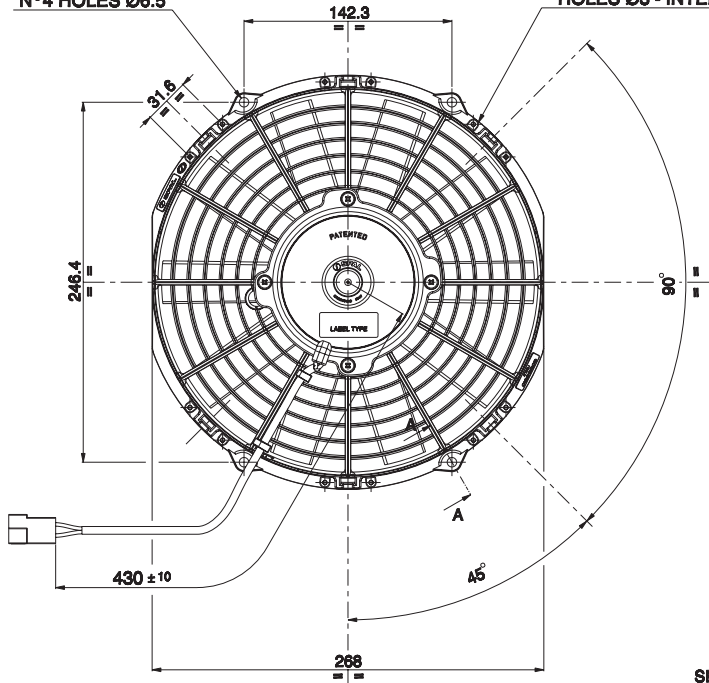


N°4 HOLES Ø6.5

- N°12 BOSSES - HEIGHT H = 12
HOLES Ø3 - INTERAXLE Ø276



SECTION A-A